



*SINGLE-STAGE, VARIABLE-SPEED
ECM ULTRA-LOW NOX GAS FURNACE
UP TO 96% AFUE
HEATING INPUT: 60,000 – 80,000 BTU/H*

■ **Contents**

Nomenclature.....	2
Product Specifications.....	3
Dimensions.....	4
Airflow Specifications.....	5
Wiring Diagram.....	7
Accessories.....	8



■ **Standard Features**

- Compatible with Daikin *One+* smart thermostat and other Daikin communicating equipment
- Heavy-duty stainless-steel tubular heat exchanger
- Single-stage gas valve
- Super-ferritic Stainless-steel secondary heat exchanger
- Durable Silicon Nitride igniter
- Variable-speed blower motor (gently ramps up or down according to heating or cooling demand, offering quiet airflow circulation)
- Quiet modulating draft inducer
- Self-diagnostic control board with constant memory fault code history output to three 7-segment display with push buttons
- Color-coded low-voltage input terminal for dehumidification control, and line voltage terminal provided for electronic air cleaner connection
- Auto-Comfort and enhanced dehumidification modes available.
- All Ultra-Low NOx DM96SC-U models comply with the 14 ng/J emission limit specified in the South Coast Air Quality Management District (SCAQMD) Rule 1111 and San Joaquin Valley Air Pollution Control District (SJVAPCD) Rule 4905. Learn more at www.aqmd.gov and www.valleyair.org.
- AHRI Certified; ETL Listed

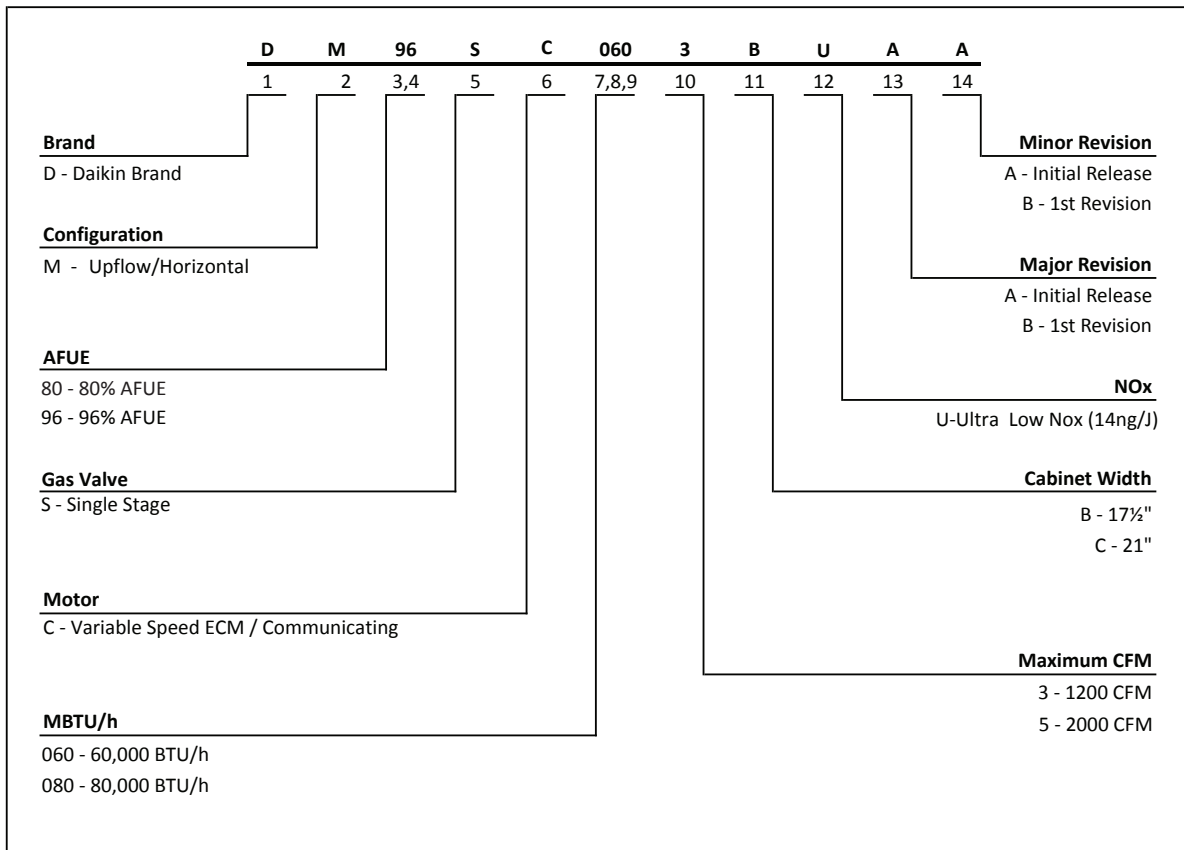
■ **Cabinet Features**

- Designed for multi-position installation:
DM96SC-U: Upflow, horizontal left or right
- Certified for direct vent (2-pipe) or non-direct vent (1-pipe)
- Easy-to-install top venting with optional side venting
- Convenient left or right connection for gas and electrical service
- Cabinet air leakage (Q_{leak}) \leq 1.4%
- Heavy-gauge steel cabinet with durable finish
- Foil-faced insulated heat exchanger cabinet
- Airtight solid bottom or side return with easy-cut tabs for effortless removal in bottom air-inlet applications



Intertek

* Complete warranty details available from your local dealer or at www.daikincomfort.com. To receive the Lifetime Heat Exchanger Limited Warranty (good for as long as you own your home), the 12-Year Unit Replacement Limited Warranty and the 12-Year Parts Limited Warranty, online registration must be completed within 60 days of installation. Additional requirements for annual maintenance are required for the Unit Replacement Limited Warranty. Online registration and some of the additional requirements are not required in California or Québec.



	DM96SC 0603BU	DM96SC 0805CU
HEATING DATA		
High Fire Input ¹	60,000	80,000
High Fire Output ¹	57,600	76,800
AFUE ²	96	96
Temperature Rise Range (°F)	30 - 60	30 - 60
Vent Diameter ³	2" - 3"	2" - 3"
NO. OF BURNER PORTS	1 Burner, 3 Tubes	1 Burner, 4 Tubes
CIRCULATOR BLOWER		
Available AC @ 0.5" ESP	1.5 - 3	2.5 - 5
Size (D x W)	11" x 8"	11" x 10"
Horsepower @ 1075 RPM	½	1
No. of Speeds	Variable	Variable
FILTER SIZE (IN²) (QTY)	(1) 16 X 25 (side or bottom)	(1) 20 X 25 (bottom) / (2) 16 X 25 (side)
ELECTRICAL DATA		
Min. Circuit Ampacity ⁴	8.8	15.4
Max. Overcurrent Device (amps) ⁵	15	20
SHIPPING WEIGHT (LBS)	122	147

¹ Natural Gas BTU/h

² DOE AFUE based upon Isolated Combustion System (ICS)

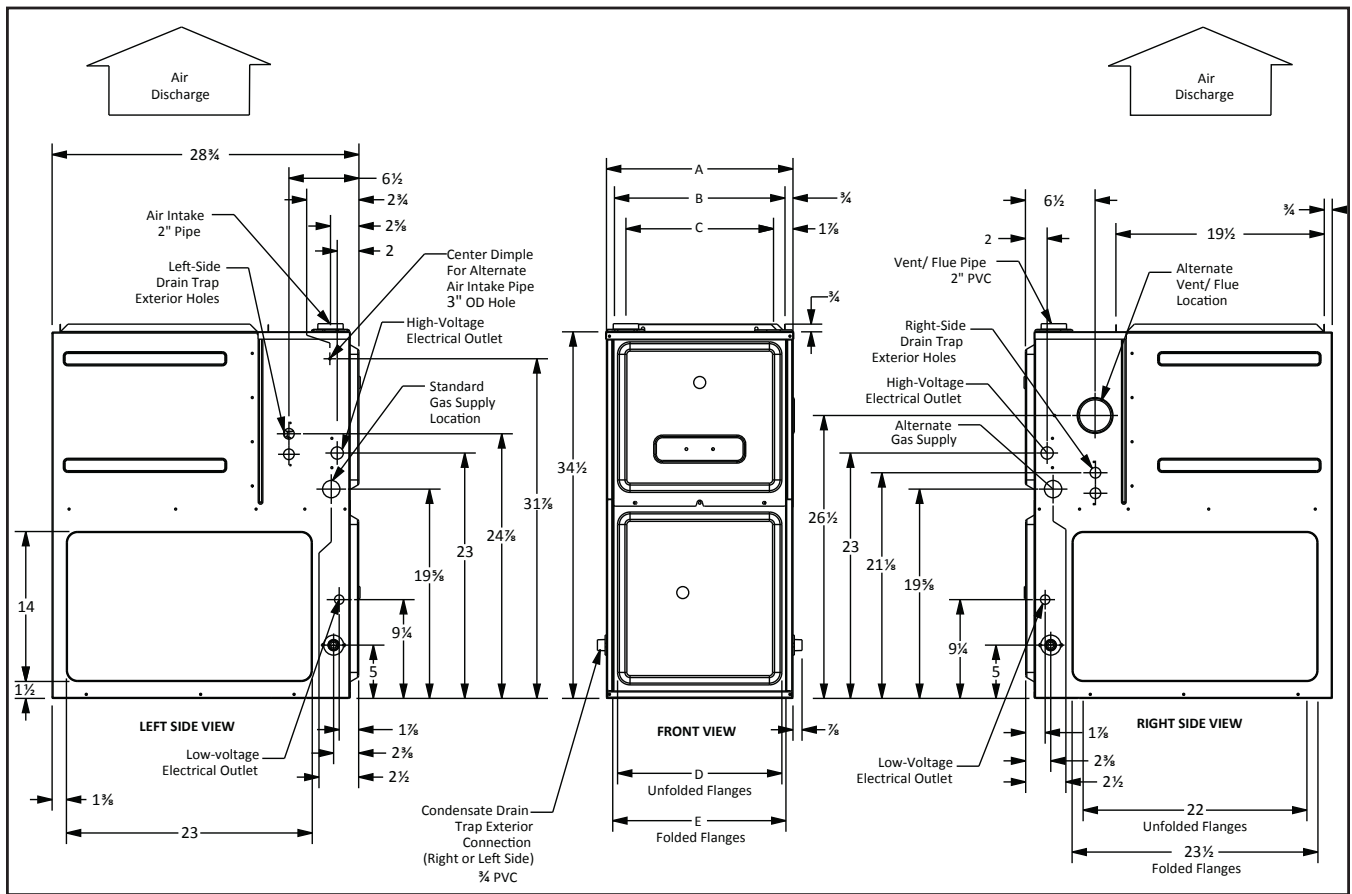
³ Installer must supply one or two PVC pipes: one for combustion air (optional) and one for the flue outlet (required). Vent pipe must be either 2" or 3" in diameter, depending upon furnace input, number of elbows, length of run and installation (1 or 2 pipes). The optional Combustion Air Pipe is dependent on installation/code requirements and must be 2" or 3" diameter PVC.

⁴ Minimum Circuit Ampacity = (1.25 x Circulator Blower Amps) + ID Blower amps. Wire size should be determined in accordance with National Electrical Codes. Extensive wire runs will require larger wire sizes.

⁵ Maximum Overcurrent Protection Device refers to maximum recommended fuse or circuit breaker size. May use fuses or HACR-type circuit breakers of the same size as noted.

NOTES

- All furnaces are manufactured for use on 115 VAC, 60 Hz, single-phase electrical supply.
- Gas Service Connection ½" FNPT
- Important: Size fuses and wires properly and make electrical connections in accordance with the National Electrical Code and/or all existing local codes.
- For bottom return: Failure to unfold flanges may reduce airflow by up to 18%. This could result in performance and noise issues.
- For servicing or cleaning, a 24" front clearance is required. Unit connections (electrical, flue and drain) may necessitate greater clearances than the minimum clearances listed above. In all cases, accessibility clearance must take precedence over clearances from the enclosure where accessibility clearances are greater.



MODEL	Air Discharge			Air Return	
	A	B	C	D	E
DM96SC0603BU	17 1/2"	16"	13 5/8"	12 1/8"	13 5/8"
DM96SC0805CU	21"	19 1/2"	17 5/8"	16"	17 1/2"

MINIMUM CLEARANCES TO COMBUSTIBLE MATERIALS

POSITION	SIDES	REAR	FRONT	BOTTOM	FLUE	TOP
Upflow	0"	0"	1"	C	0"	1"
Horizontal	6"	0"	AL	C	0"	4"

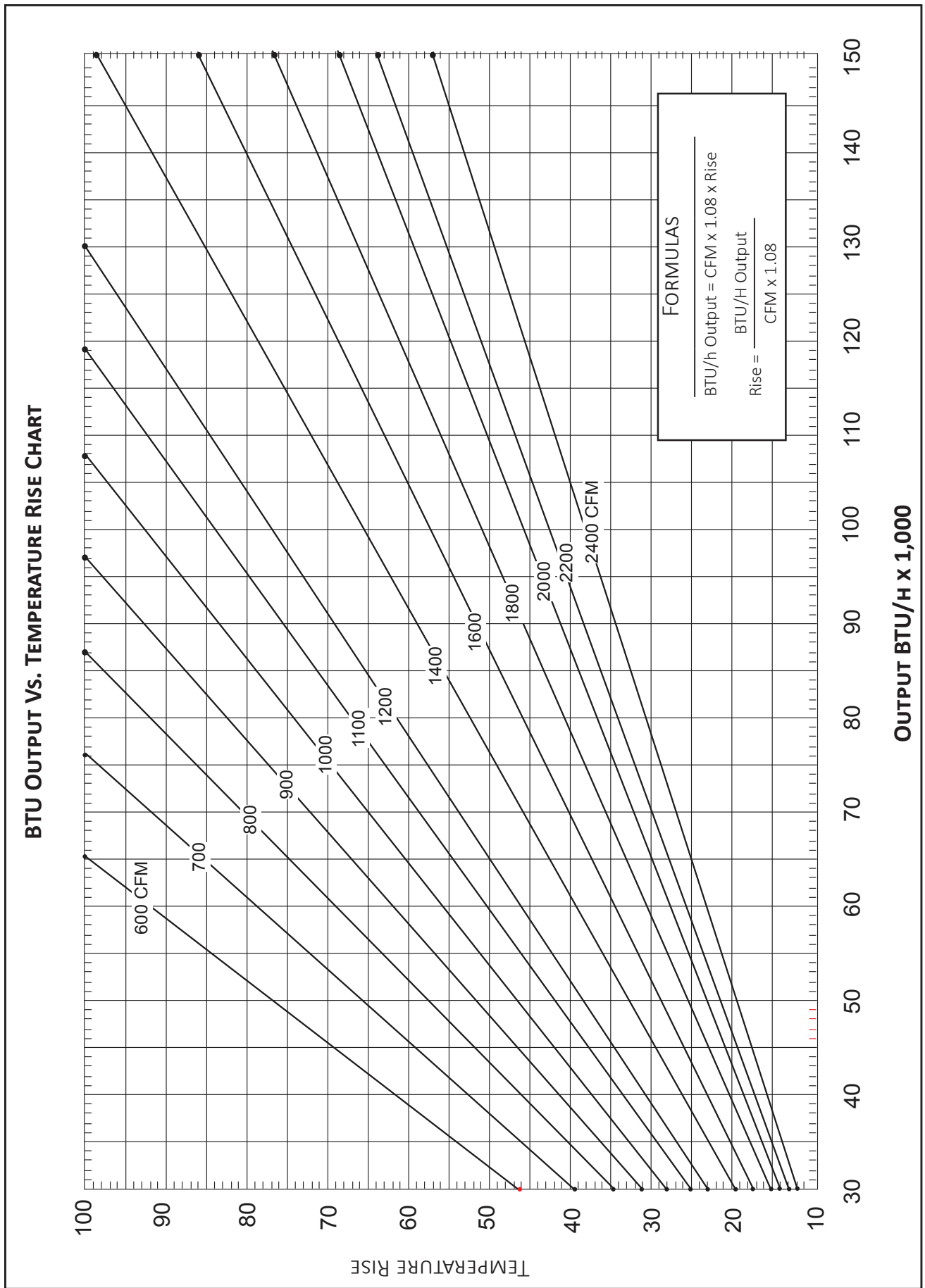
C = If placed on combustible floor, the floor MUST be wood ONLY.

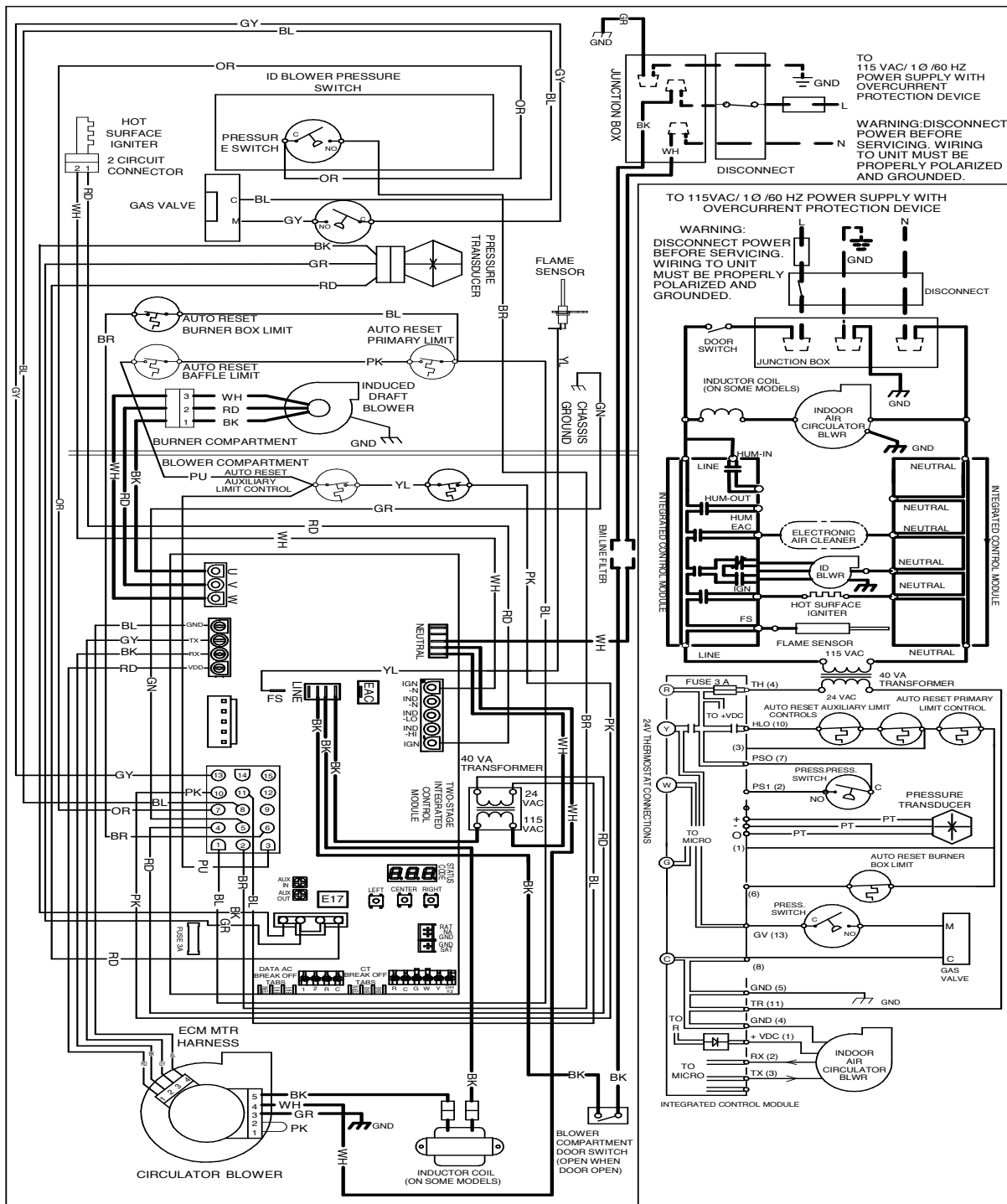
MODEL / TEMP RISE RANGE	DM96SC0603BUA*30-60 (45)		DM96SC0805CUA* 30-60 (45)	
	CFM	RISE	CFM	RISE
Recommended CFM for Heat Mode / Expected Temperature Rise	1185	45	1580	45
Lowest Recommended CFM For Heat Mode / Expected Temperature Rise	889	60	1185	60
Lowest Recommended CFM For Heat Mode / Expected Temperature Rise	1400 Max Capable CFM	38	2200 Max Capable CFM	32

MINIMUM FILTER SIZES

	DM96SE 0603BU	DM96SE 0805CU
Filter Size (in ²) (Qty)	(1) 16 x 25 (side or bottom)	(1) 20 x 25 (bottom) or (2) 16 x 25 (side)

Note: Larger filters may be used. Filters may also be centrally located.





High Voltage: Disconnect all power before servicing or installing this unit. Multiple power sources may be present. Failure to do so may cause property damage, personal injury, or death.

WARNING

NOTES:

1. SET HEAT ANTICIPATOR ON ROOM THERMOSTAT AT 0.7 AMPS.
2. MANUFACTURER'S SPECIFIED REPLACEMENT PARTS MUST BE USED WHEN SERVICING.
3. IF ANY OF THE ORIGINAL WIRE AS SUPPLIED WITH THE FURNACE MUST BE REPLACED, IT MUST BE REPLACED WITH WIRING MATERIAL HAVING A TEMPERATURE RATING OF AT LEAST 105°C. USE COPPER CONDUCTORS ONLY.
4. UNIT MUST BE PERMANENTLY GROUNDED AND CONFORM TO N.E.C. AND LOCAL CODES.
5. TO RECALL THE LAST 6 FAULTS, MOST RECENT TO LEAST RECENT, DEPRESS SWITCH FOR MORE THAN 2 SECONDS WHILE IN STANDBY (NO THERMOSTAT INPUTS).
6. HUMIDIFIER INSTALLATION OPTIONS: USE HUM TERMINAL TO RUN HUMIDIFIER DURING HEAT CALL (COMMUNICATING OR LEGACY MODES). USE HUM-IN AND HUM-OUT TERMINALS TO RUN HUMIDIFIER DURING HEAT CALL (COMMUNICATING MODE OR LEGACY MODE) OR INDEPENDENTLY FROM HEAT CALL (COMMUNICATING MODE ONLY - SETUP IS DONE WITHIN COMMUNICATING THERMOSTAT)

COLOR CODES:
 PK PINK
 BR BROWN
 WH WHITE
 BL BLUE
 GY GRAY
 RD RED
 YL YELLOW
 OR ORANGE
 PU PURPLE
 GR GREEN
 BK BLACK

LOW VOLTAGE (24V) ———
LOW VOLTAGE FIELD - - -
HI VOLTAGE (115V) ———
HI VOLTAGE FIELD - - -
 JUNCTION —○—
 TERMINAL —○—
 INTERNAL TO INTEGRATED CONTROL ———
 PLUG CONNECTION ———

EQUIPMENT GND ———
FIELD GND ———
FIELD SPLICE ———
SWITCH (TEMP.) ———
IGNITER ———
SWITCH (PRESS.) ———
OVERCURRENT PROT. DEVICE ———

0140F02512-A

ACCESSORIES

MODEL	DESCRIPTION	DM96SC 0603BU	DM96SC 0805CU
Daikin One+	Daikin Communicating Thermostat	√	√
72950	Concentric Vent Kit (2")	√	√
72951	Concentric Vent Kit (3")	√	√
RF000142	Drain Kit Horizontal Left Vertical Flue	√	√
EFR02	External Filter Rack with 16"x25" Permanent Filter	√	—
0170K00000S	Flush Mount Vent Kit - 3" or 2"	√	√
0170K00001S	Flush Mount Vent Kit - 2"	√	√
0270F05404	Horizontal Drain Tubing Kit	√	√